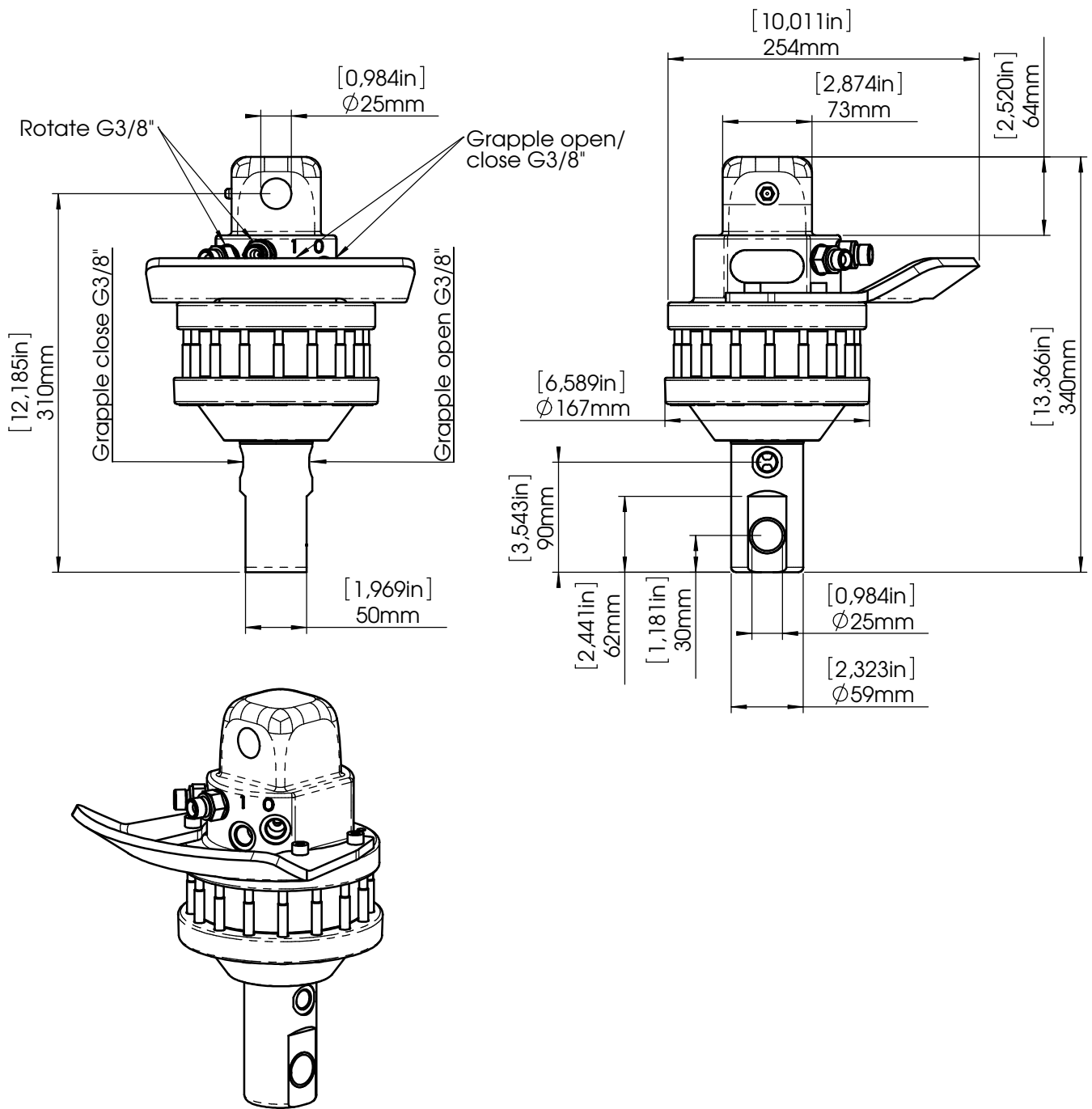
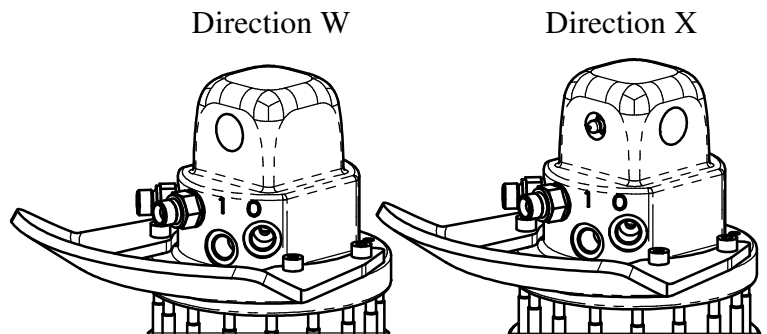


Rotator FR 10 T50



FR 10 T50	
Rotation angle	Unlimited
Max. working pressure	200 bar
Displacement	420 cm ³
Torque (200 bar)	1000 Nm
Max. axial force	60 kN
Safe working load	4000 kg
Weight	20 kg



Basic models		
Item	Name	Direction
11030	FR 10-X25T50	X
11031	FR 10-W25T50	W